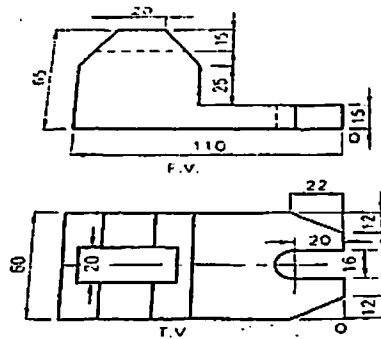
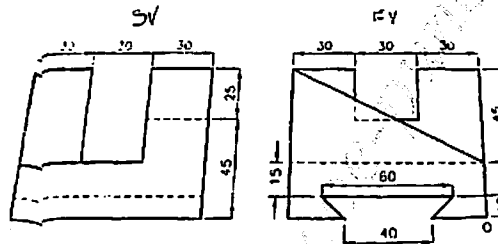


- Q.3 Draw isometric projection of an object from given FV and TV taking O as origin. [10]



OR

- Q.3 Draw isometric projection of an object from given FV and SV taking O as origin. [10]



- Q.4 A 70mm long line PQ is inclined at 30° to the H.P. The end 'P' is 45mm in front of the V.P. and 25 mm above the H.P. The front view of the line measure 45mm. Draw the projections of the line 'PQ' and determine its true angle of inclination with the V.P. [10]

OR

- Q.4 A circular plate of 60 mm diameter is held on a point on its circumference on the H.P. The diameter through this point has its top view length of 45 mm and the same diameter is inclined to the V.P. at 45° . Draw the projections, by using First Angle projection method. [10]

- Q.5 A square prism, side of base 40mm and axis length 60mm has one of the side of base in the H.P., which makes an angle 30 degree with the V.P. and axis inclined at an angle 45 degree with the H.P. Draw its projection. [10]

OR

- Q.5 A pentagonal pyramid of base side 30 mm and axis 60 mm rests on a corner of its base on the H.P such that its apex is 55 mm above the ground. A vertical plane containing the corner of the base that lies on the H.P. and the axis is inclined at 30° to the V.P. Draw its projections. [10]

P.T.O.

Q.6 A cone base 50 mm diameter and axis 60 mm long is resting with its base on HP. It is cut by a section plane perpendicular to the VP and inclined at 60° to the HP and bisecting axis. Draw the development. [10]

OR

Q.6 A square prism of base side 40 mm and axis 70 mm is resting on its base on HP with two base edges parallel to VP. A cutting plane is 45° to HP cuts the prism passing through a point on the axis which is 40mm above the base. Draw the development of surface of the cut prism. [10]

160123-m-cne-pune