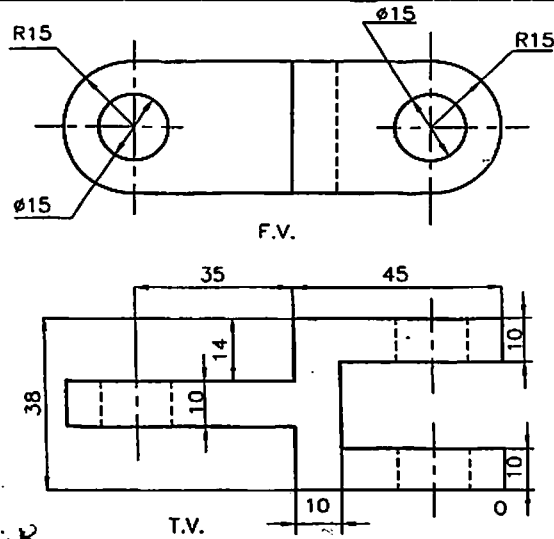
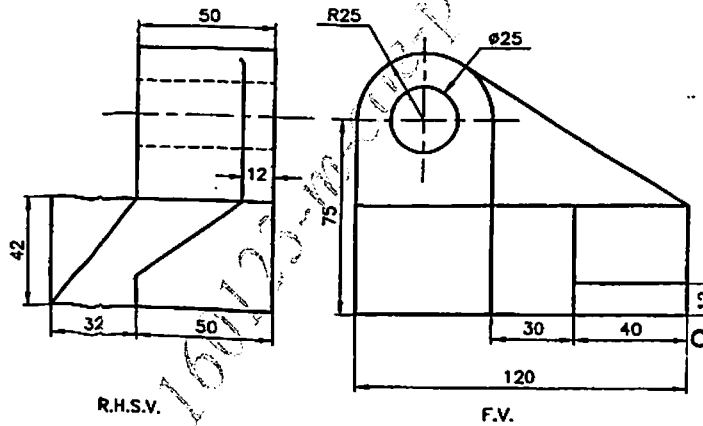


Q.3 Draw the isometric view of an object from the given F.V. and T.V. (10)



Q.3 Draw the isometric view of an object from the given F.V. and R.H.S.V. (10)



Q.4 The top view and front view of line AB measures 70mm and 58mm respectively. The line AB is inclined at an angle of 35° to H.P. The end A is 15mm above H.P. and 12mm in front of V.P. The other end B is also in the first quadrant. Draw the projections of the line AB. Find its true length and true inclination with the V.P. Also show its traces. (10)

OR

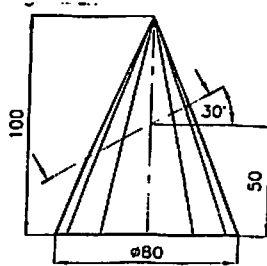
Q.4 Draw the projections of a circle of 70mm dia. resting on the H.P. on a point A on the circumference, its plane inclined to the H.P. such that the plan is an ellipse of minor axis 45mm. The plan of the diameter through the point A is making an angle of 45° with the V.P. measure the angle of the plane with H.P. (10)

Q.5 A pentagonal prism of base 30mm side and axis 60mm long is resting on a corner of its base on the ground with a longer edge containing that corner inclined at 45° to the H.P. and vertical plane containing that edge and the axis inclined at 30° to the V.P. Draw its projections. (10)

OR

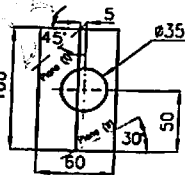
Q.5 A cone diameter of base 80mm is cut in such a way that true shape is an isosceles triangle of 50mm base and 70mm altitude. Draw projections of the larger piece when it is kept on the ground on its cut surface. (10)

Q.6 Draw the development of the lateral surface of the following cut cone. (10)



OR

Q.6 An equilateral triangular prism of base 60mm is resting in the H.P. with one of its rectangular faces parallel to the V.P. It is cut by two different planes and also has a circular hole as shown in the following figure. Develop the lateral surface of this cut prism. (10)



* * * * *